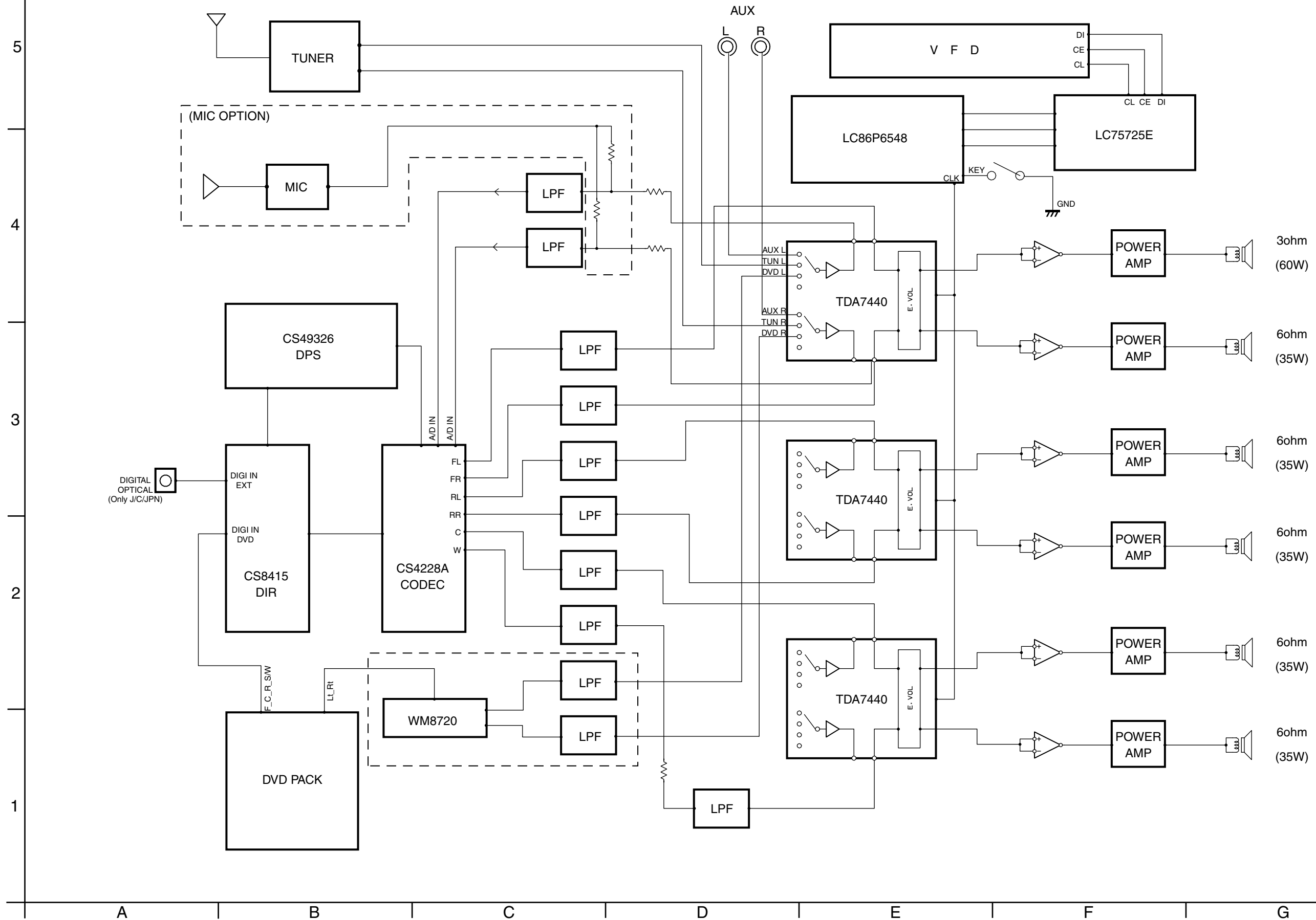
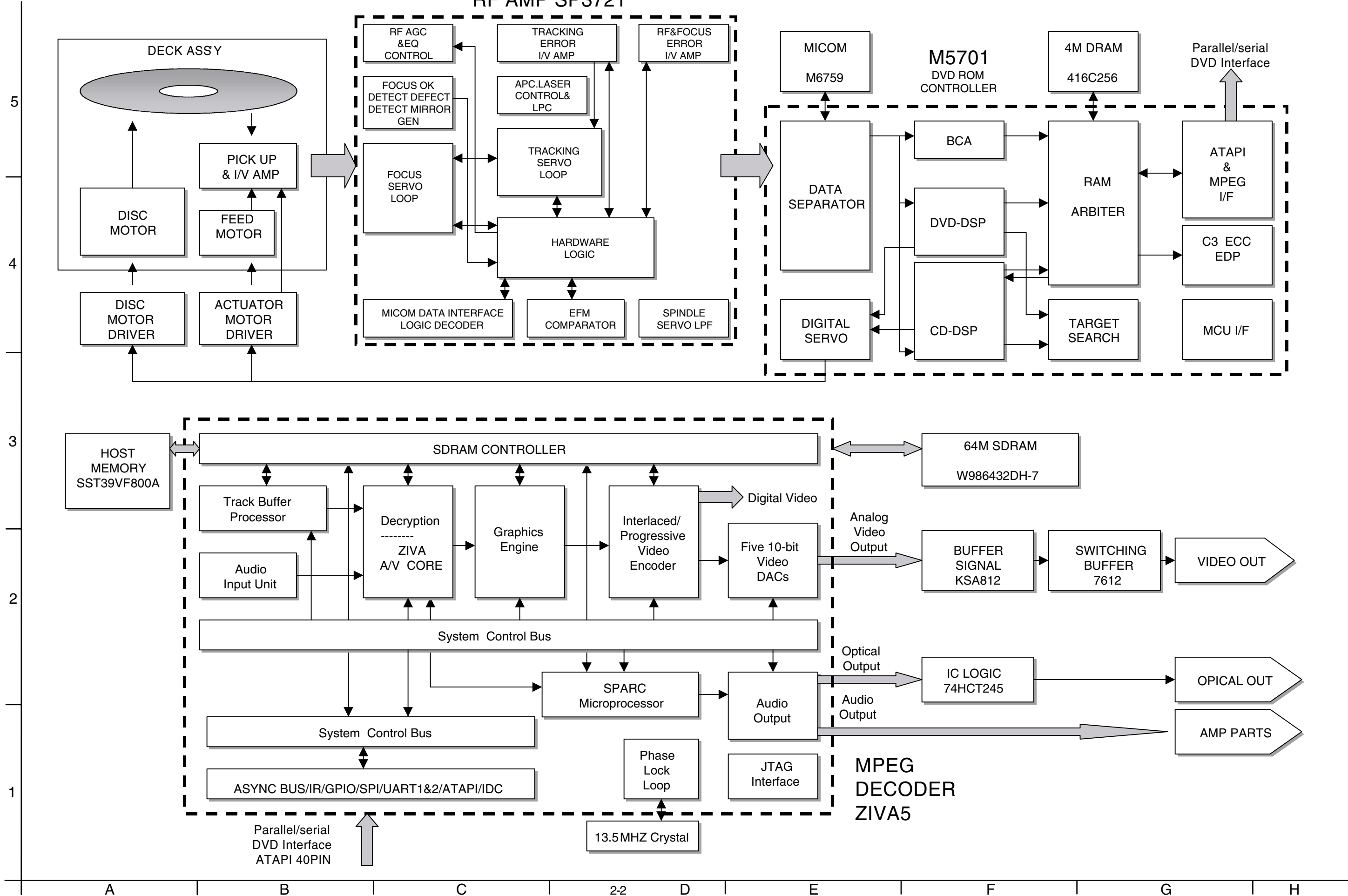


# Block diagrams

■ Main section

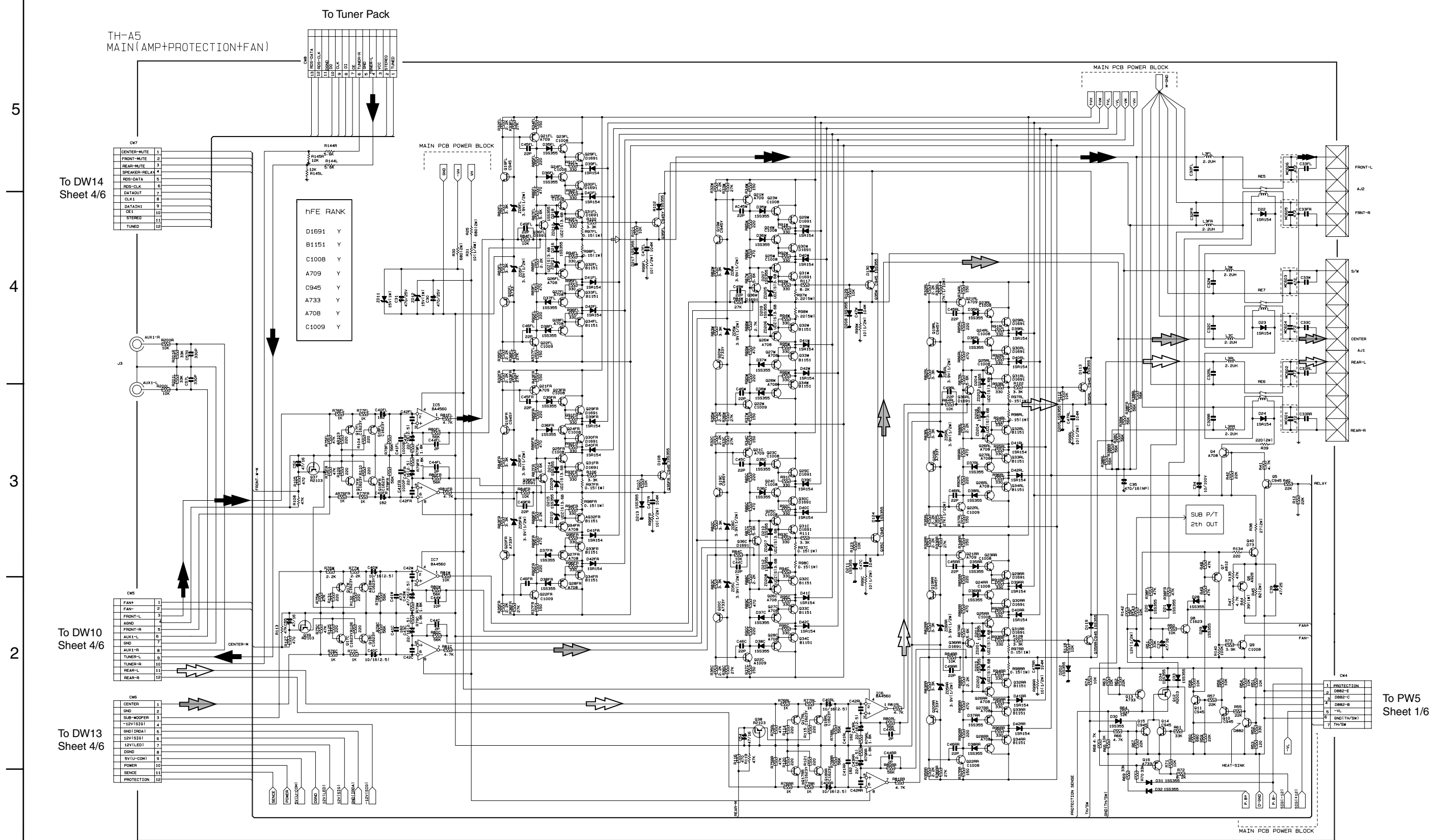


■ DVD mecha block section





■ Main section

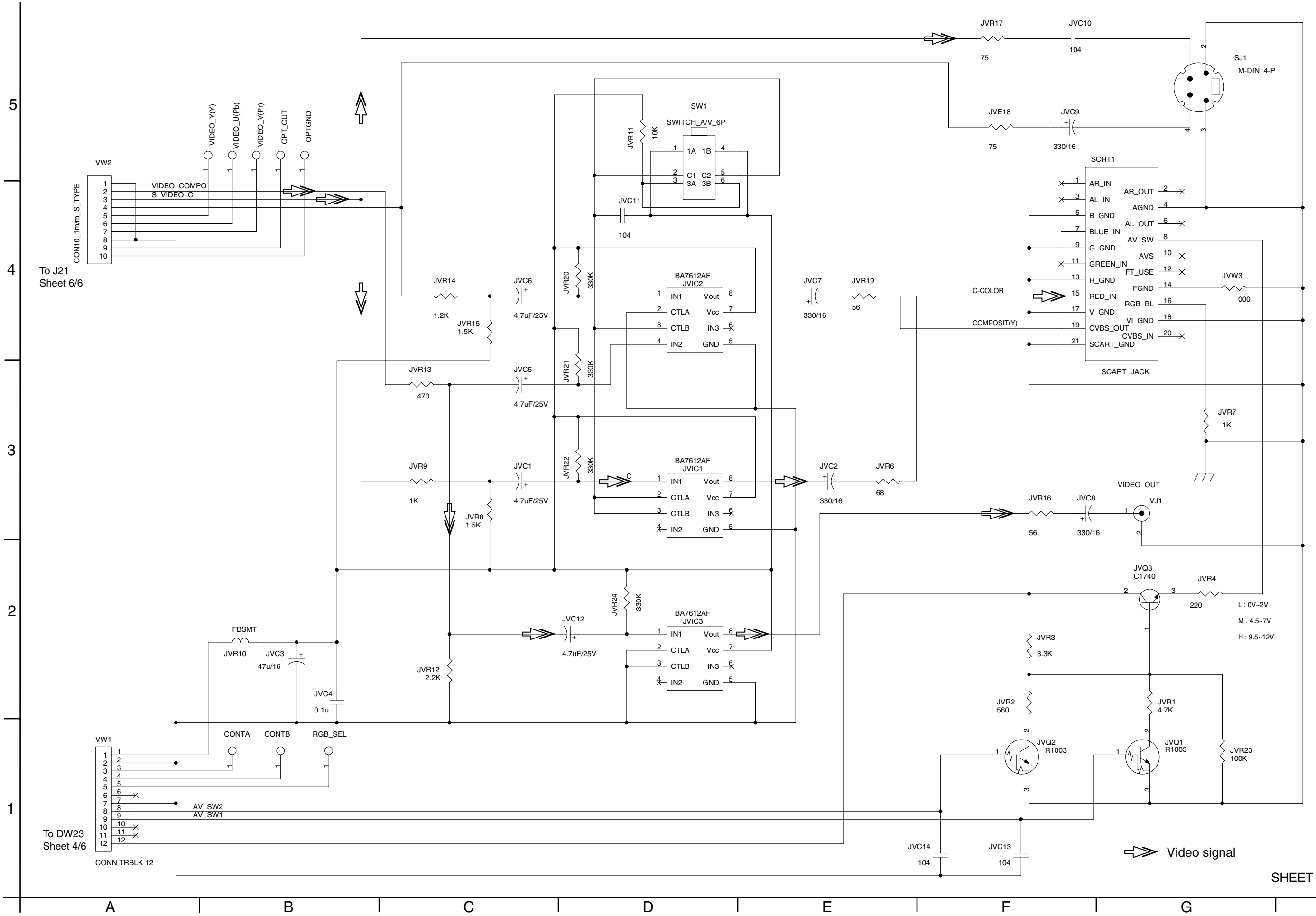


- ➡ Tuner signal
- ➡ Front signal
- ➡ Center signal
- ➡ Rear signal

5  
4  
3  
2  
1

A B C 24 D E F G H

Video signal output section



To J21  
Sheet 6/6

To DW23  
Sheet 4/6

■ DSP section

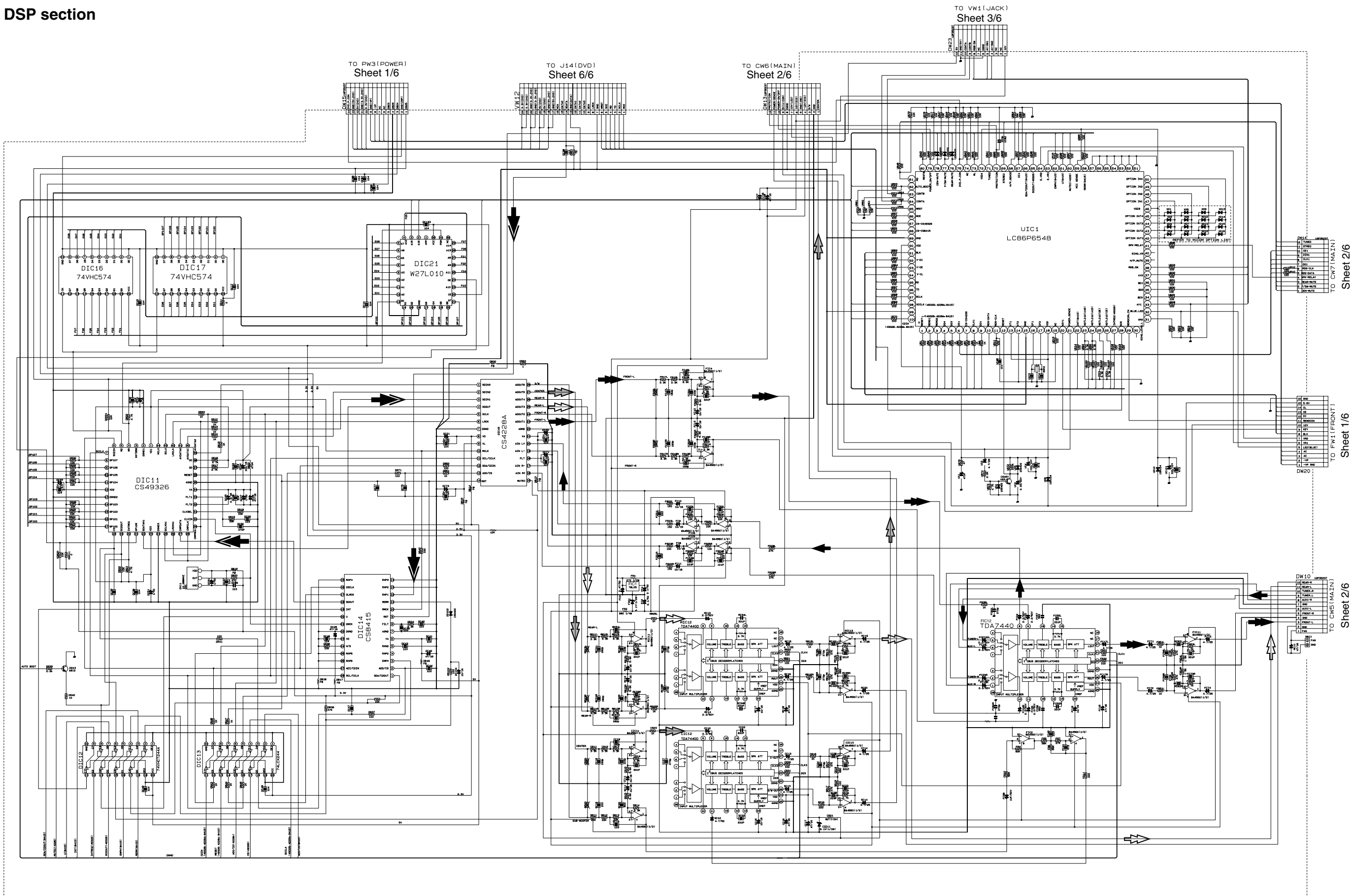
5

4

3

2

1



DVD loader section

5

4

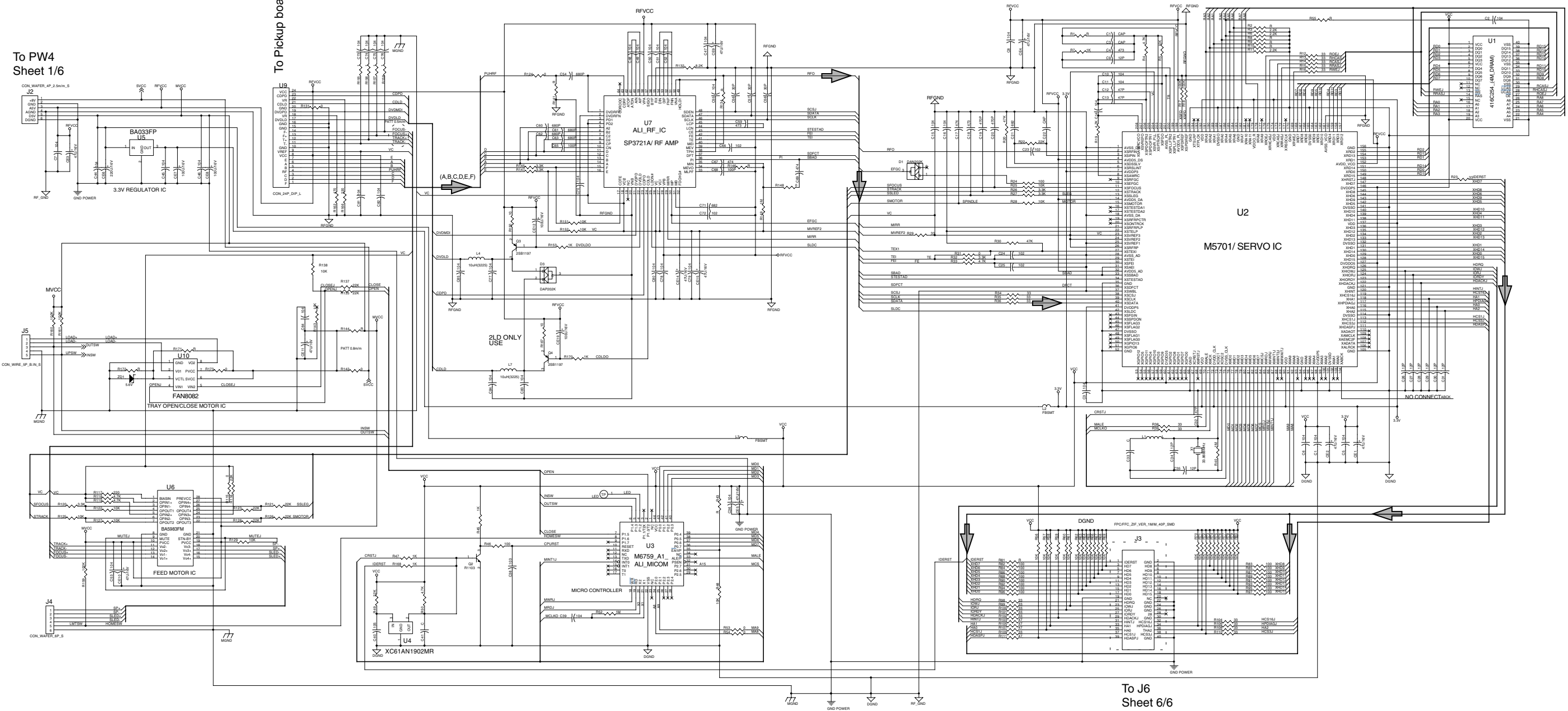
3

2

1

To PW4  
Sheet 1/6

To Pickup board



To J6  
Sheet 6/6

➡ Digital data signal

DVD MPEG section

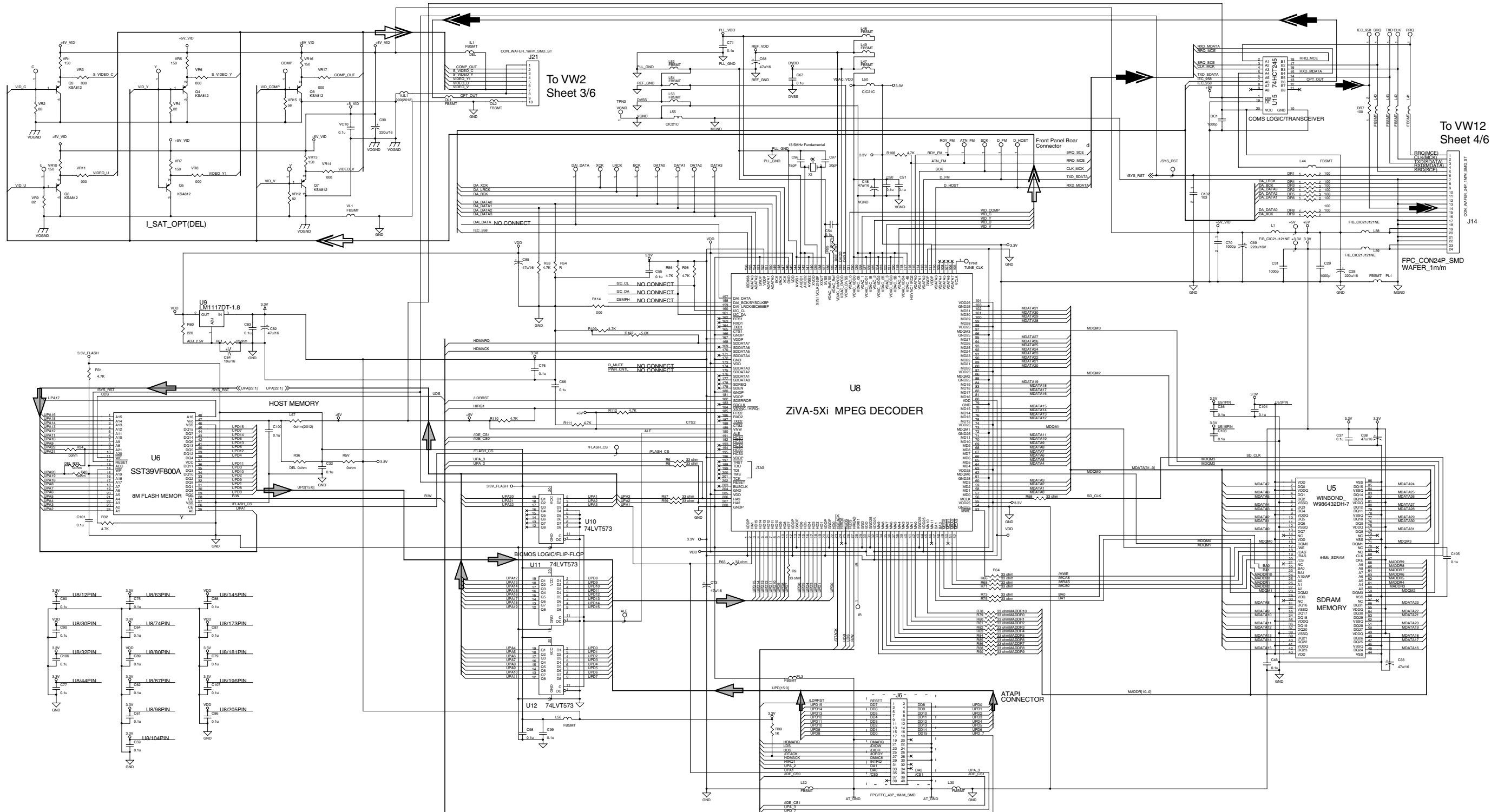
5

4

3

2

1

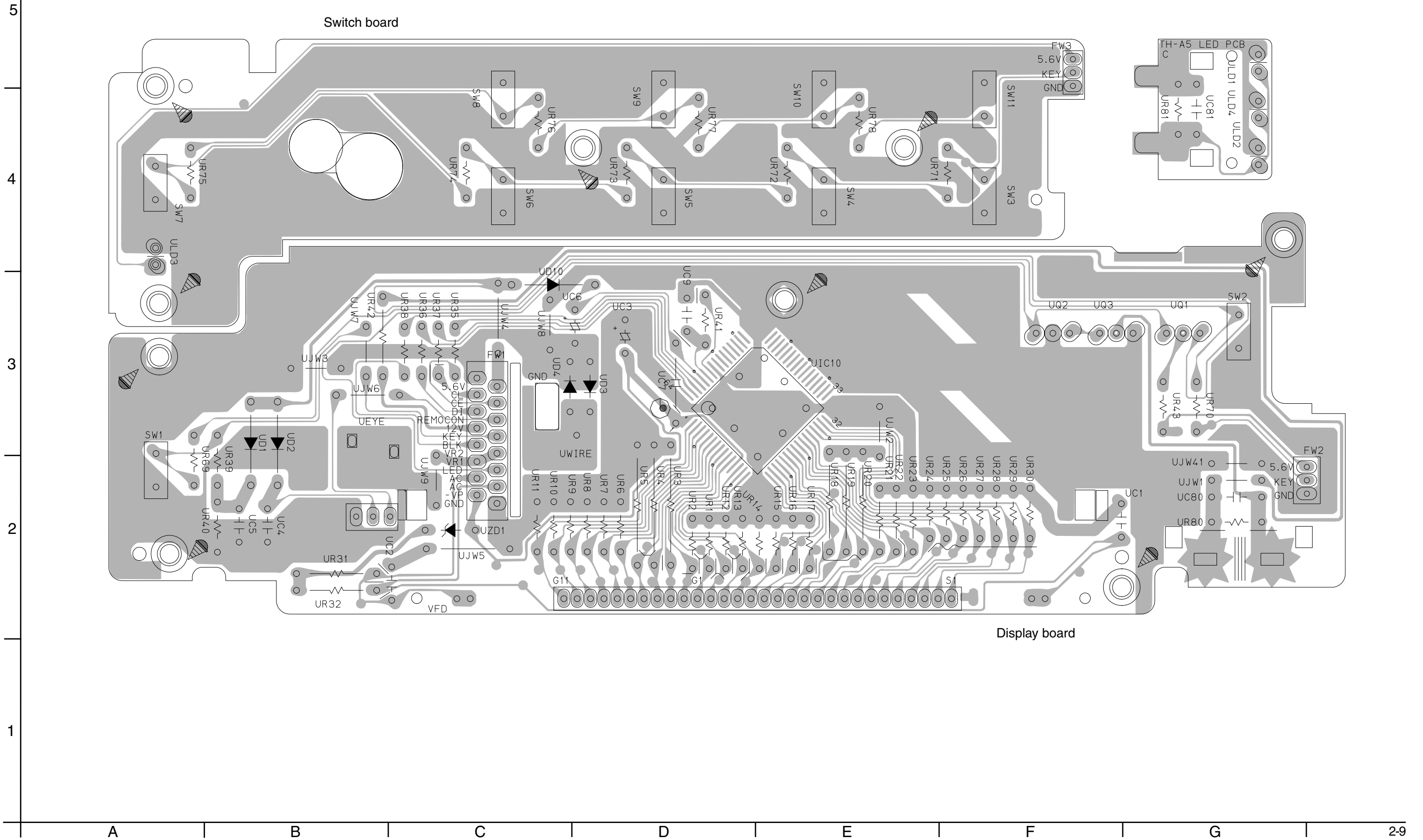


- Digital data signal
- Digital audio signal
- Video signal



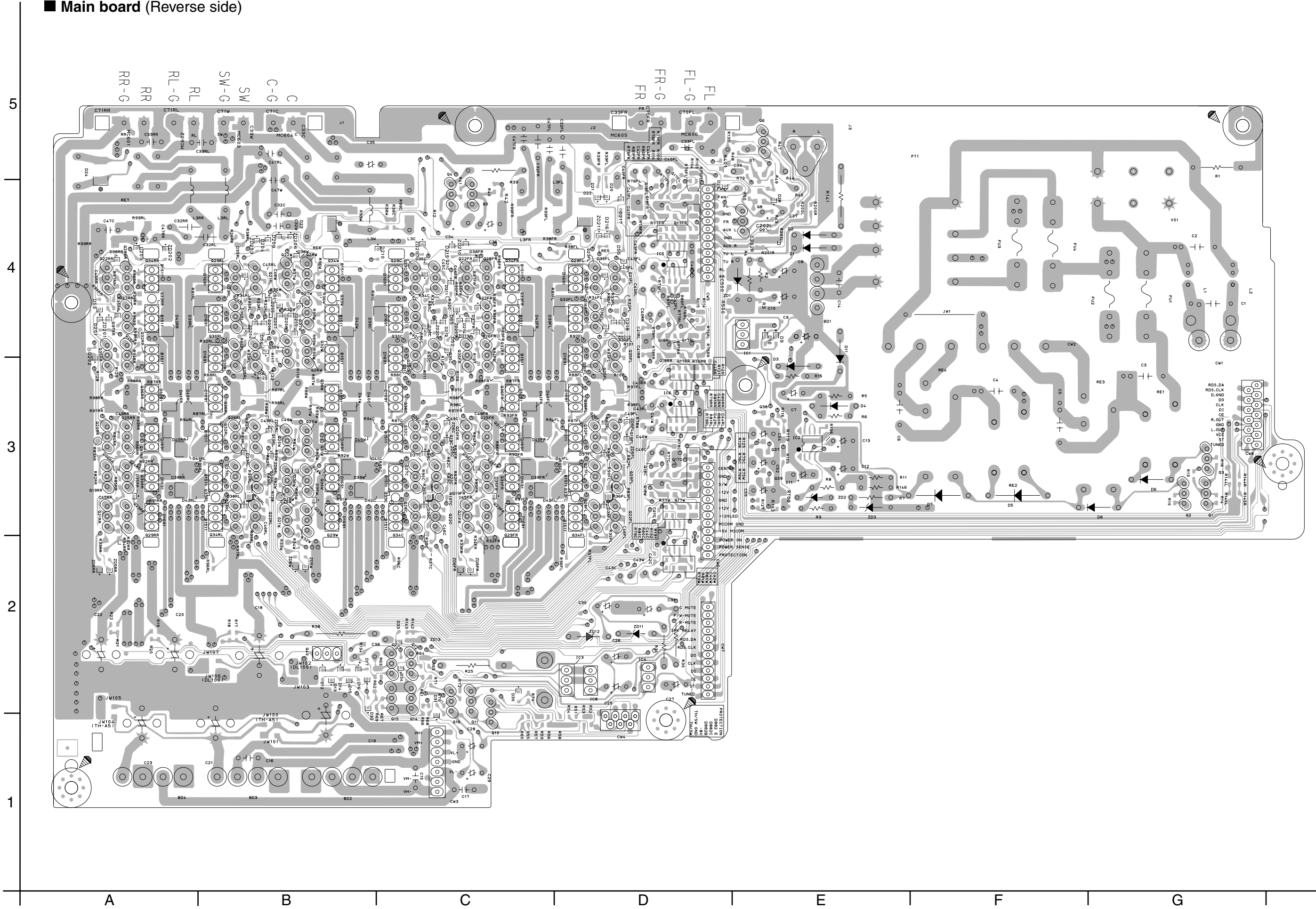
# Printed circuit boards

■ Front board

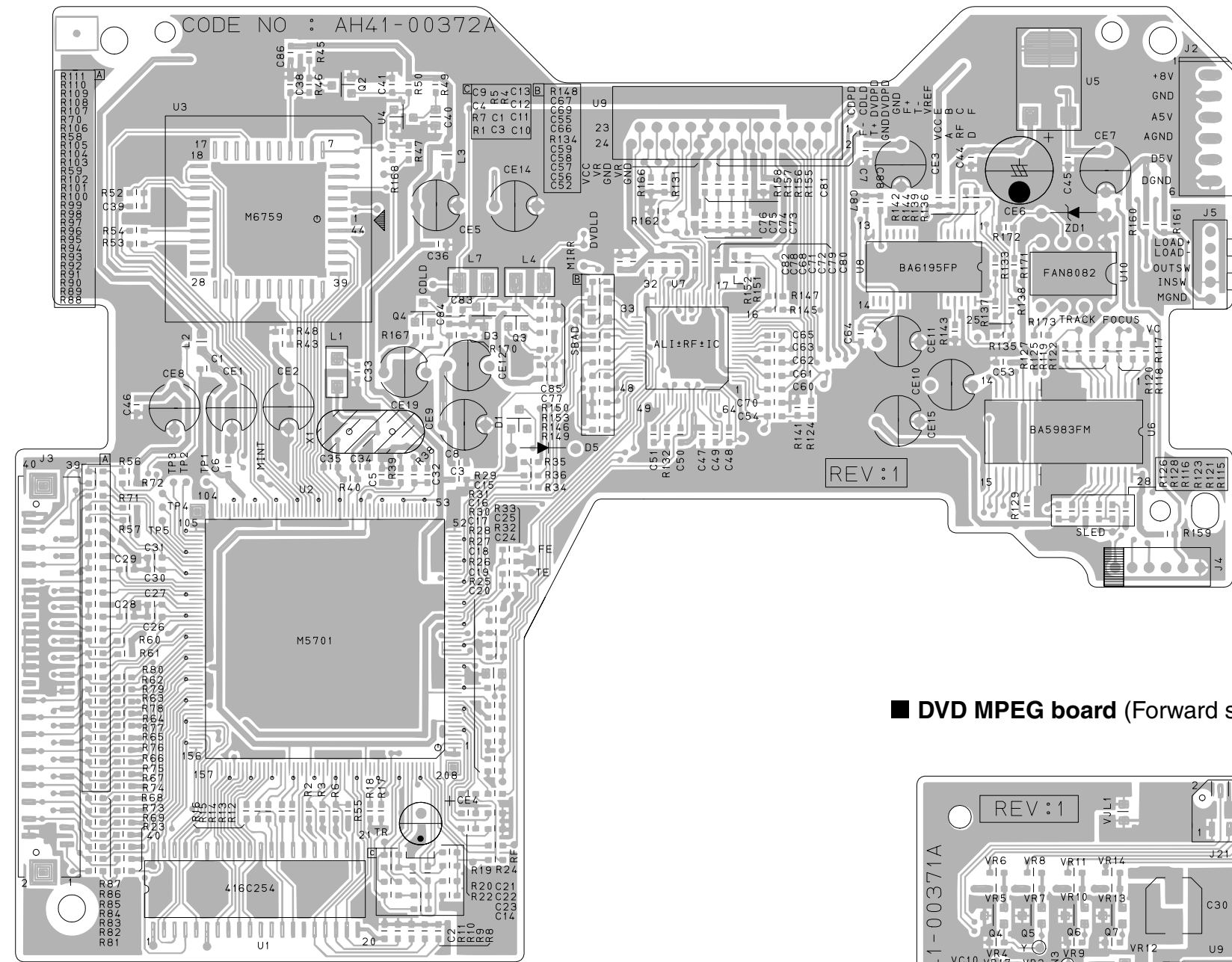




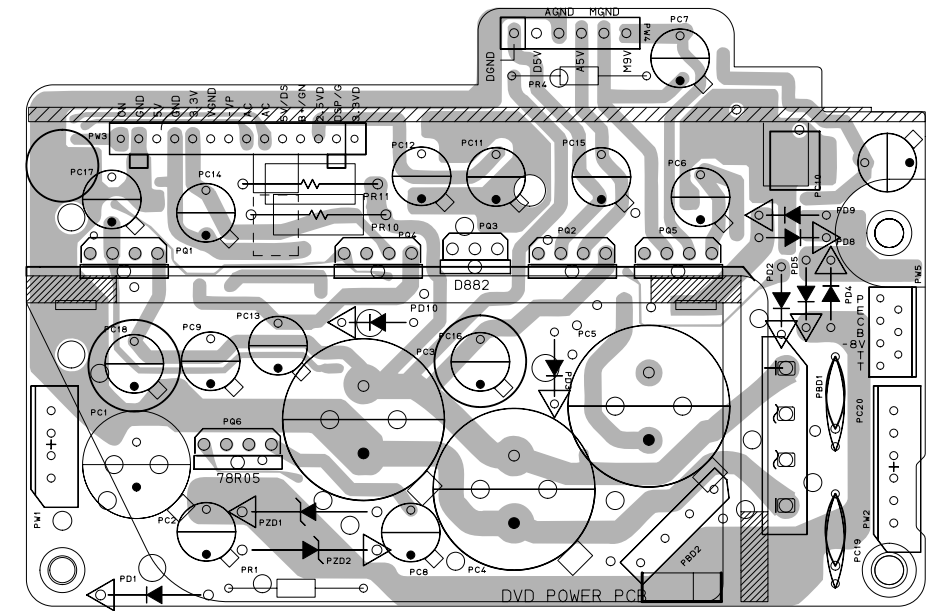
■ Main board (Reverse side)



■ DVD loader board (Forward side)



■ DVD power board (Forward side)









■ Jack board

